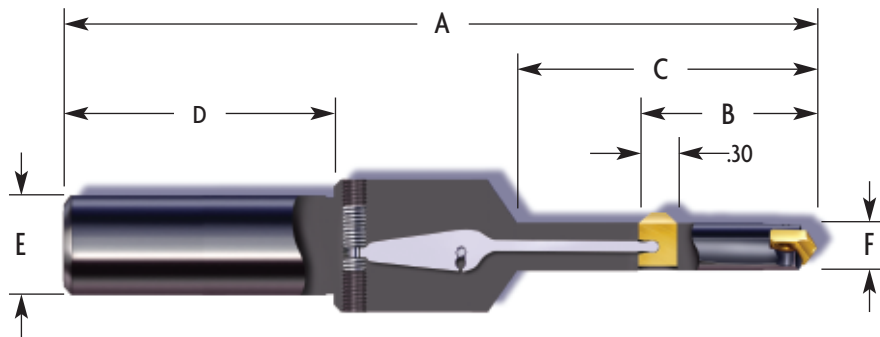


How to Order Custom BurrFree Drills

"Custom" tool requests should include the following application data:

- Material type and thickness.
- Hole diameter.
- Machine type (CNC, Transfer, Bridgeport, etc.).
- Drawings or sketches to illustrate the application.
- You may also use the E-Z custom design template.
- Any other critical information.

Custom Design Template



A. Overall Length:

B. Blade Depth:

C. Pilot Length:

D. Shank Length:

E. Shank Diameter:

F. Hole Diameter:

G. Insert Number:

For a custom tool estimate, please photocopy this form, fill in the dimensions, and fax or send the copy to E-Z Burr. For help with ordering or technical assistance, contact your local distributor or call E-Z Burr Tool Company at 800-783-2877.